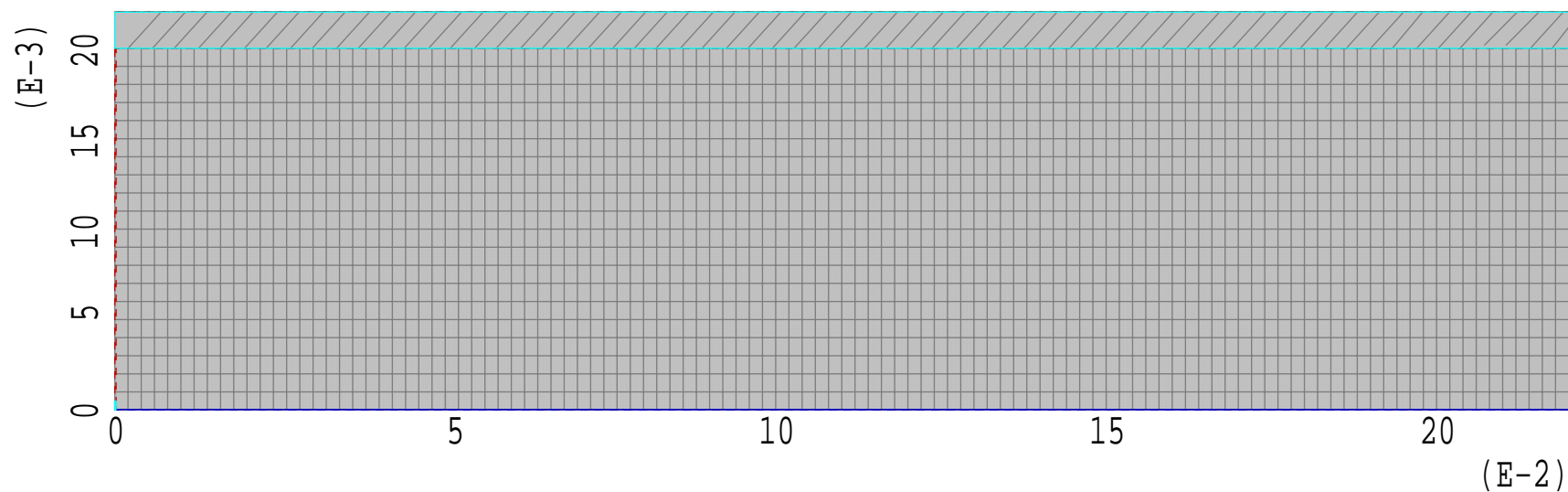


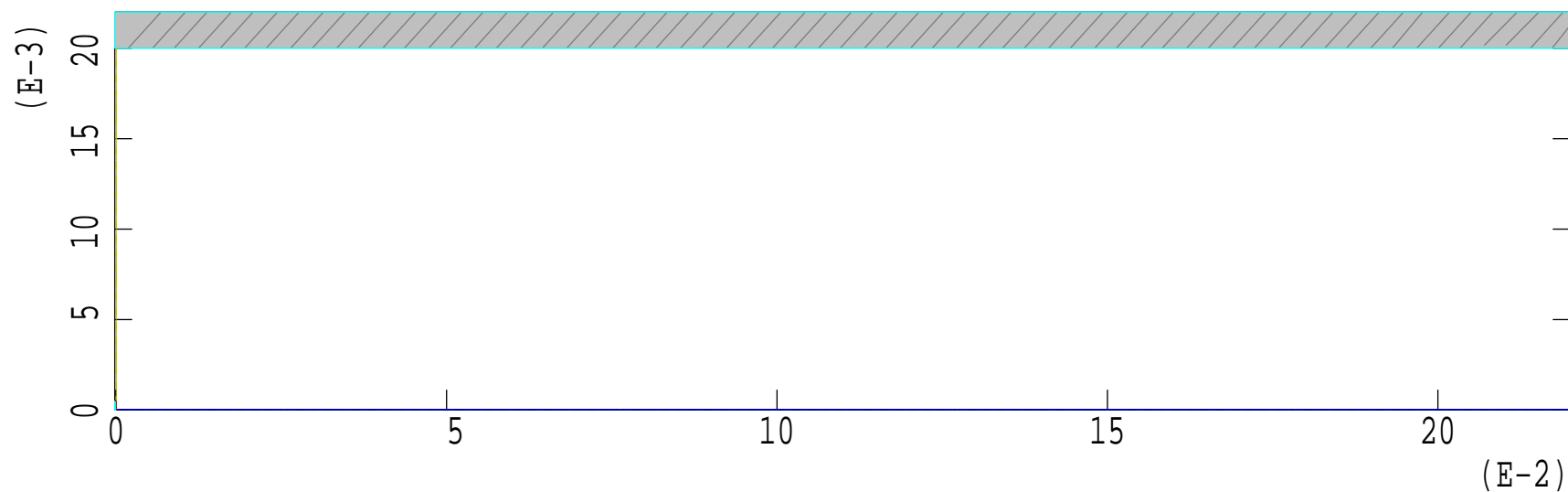
VIEW OF GRID, CONDUCTORS, AND SYMMETRY BOUNDARIES



Remarks: Gun Test for single bunch
Dbeam=1mm, Vbeam=1MeV DLbeam=3mm

Device:
Run No: 1
File: gun.mgc
Author: V.Teryaev
Organization: KEK

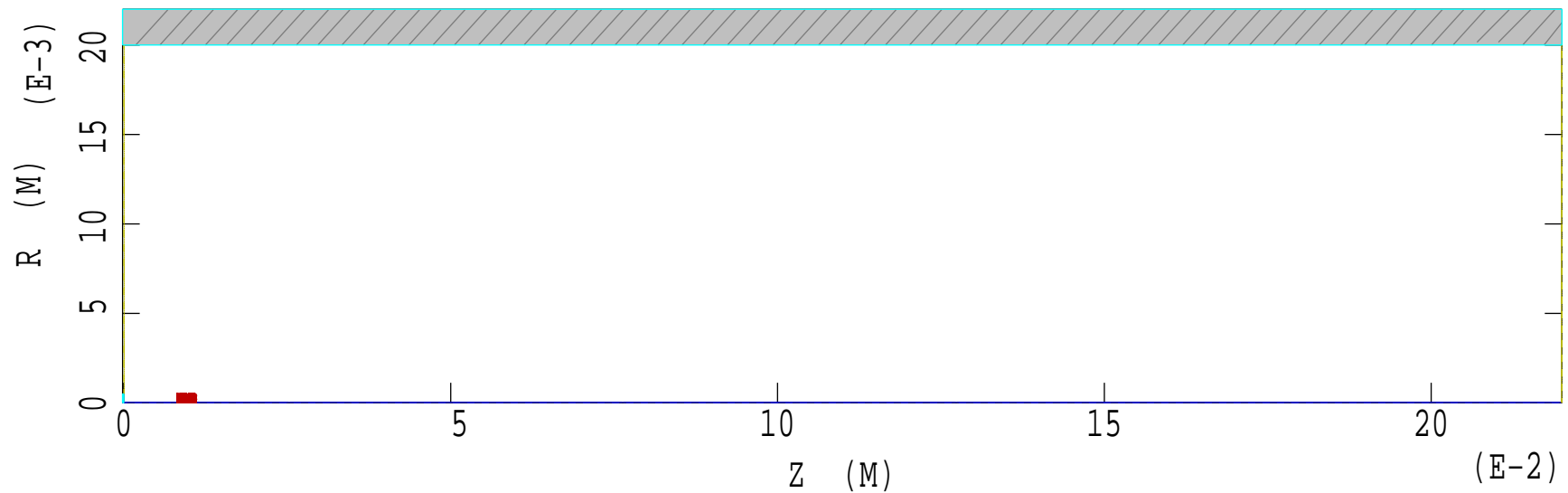
VIEW OF GRID, CONDUCTORS, AND SYMMETRY BOUNDARIES



Remarks: Gun Test for single bunch
Dbeam=1mm, Vbeam=1MeV DLbeam=3mm

Device:
Run No: 1
File: gun.mgc
Author: V.Teryaev
Organization: KEK

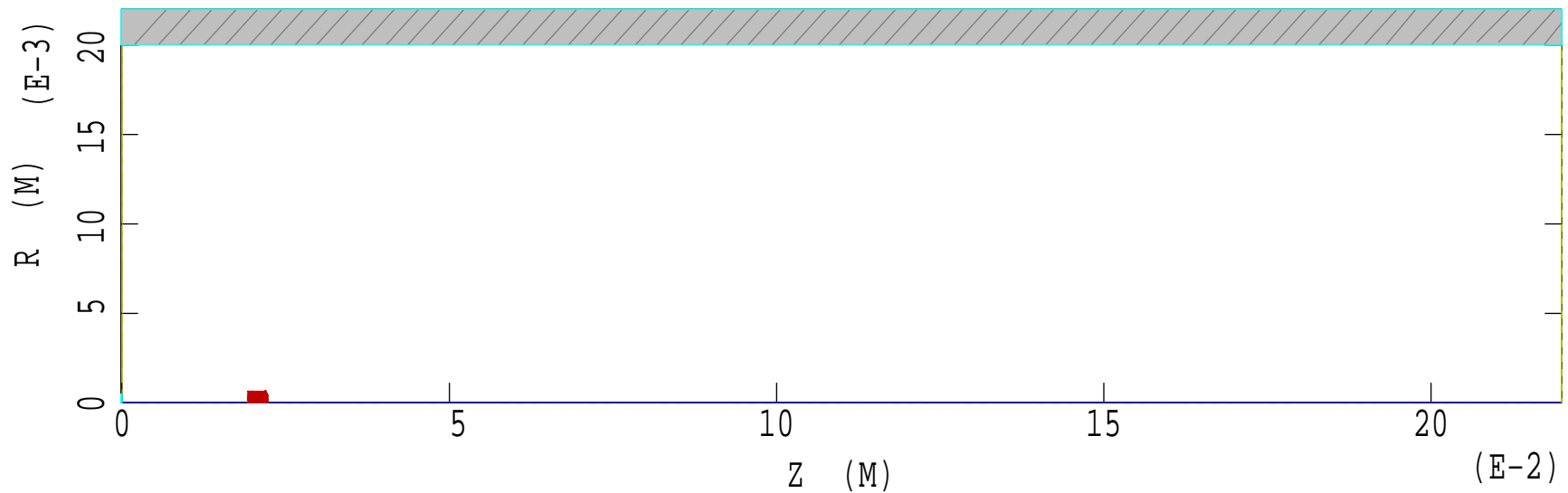
Time 39.400 ps: PHASESPACE for all particles



PHASESPACE Plot 1
Remarks: Gun Test for single bunch
Dbeam=1mm, Vbeam=1MeV DLbeam=3mm

Device:
Run No: 1
File: gun.mgc
Author: V.Teryaev
Organization: KEK

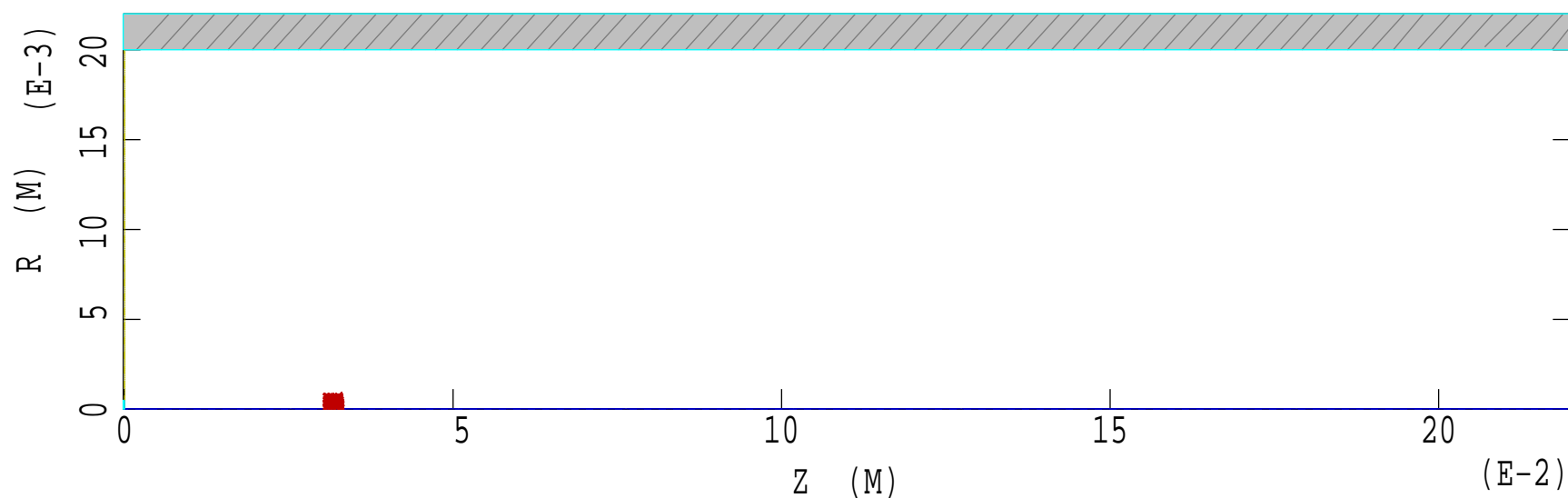
Time 78.800 ps: PHASESPACE for all particles



PHASESPACE Plot 1
Remarks: Gun Test for single bunch
Dbeam=1mm, Vbeam=1MeV DLbeam=3mm

Device:
Run No: 1
File: gun.mgc
Author: V.Teryaev
Organization: KEK

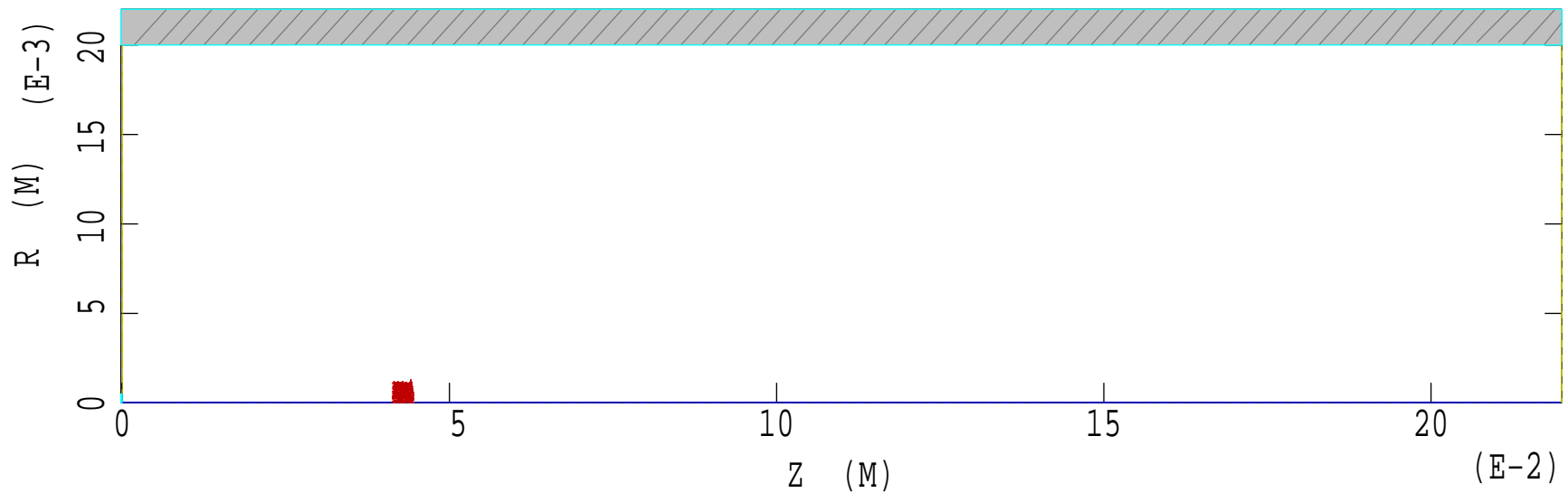
Time 118.200 ps: PHASESPACE for all particles



PHASESPACE Plot 1
Remarks: Gun Test for single bunch
Dbeam=1mm, Vbeam=1MeV DLbeam=3mm

Device:
Run No: 1
File: gun.mgc
Author: V.Teryaev
Organization: KEK

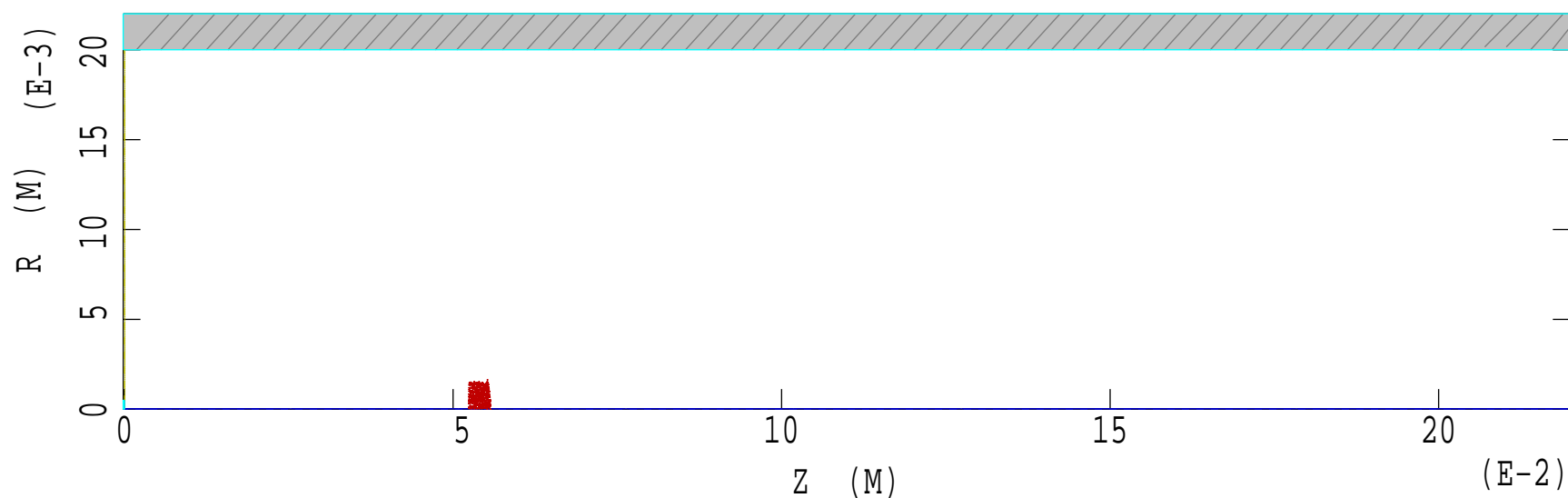
Time 157.600 ps: PHASESPACE for all particles



PHASESPACE Plot 1
Remarks: Gun Test for single bunch
Dbeam=1mm, Vbeam=1MeV DLbeam=3mm

Device:
Run No: 1
File: gun.mgc
Author: V.Teryaev
Organization: KEK

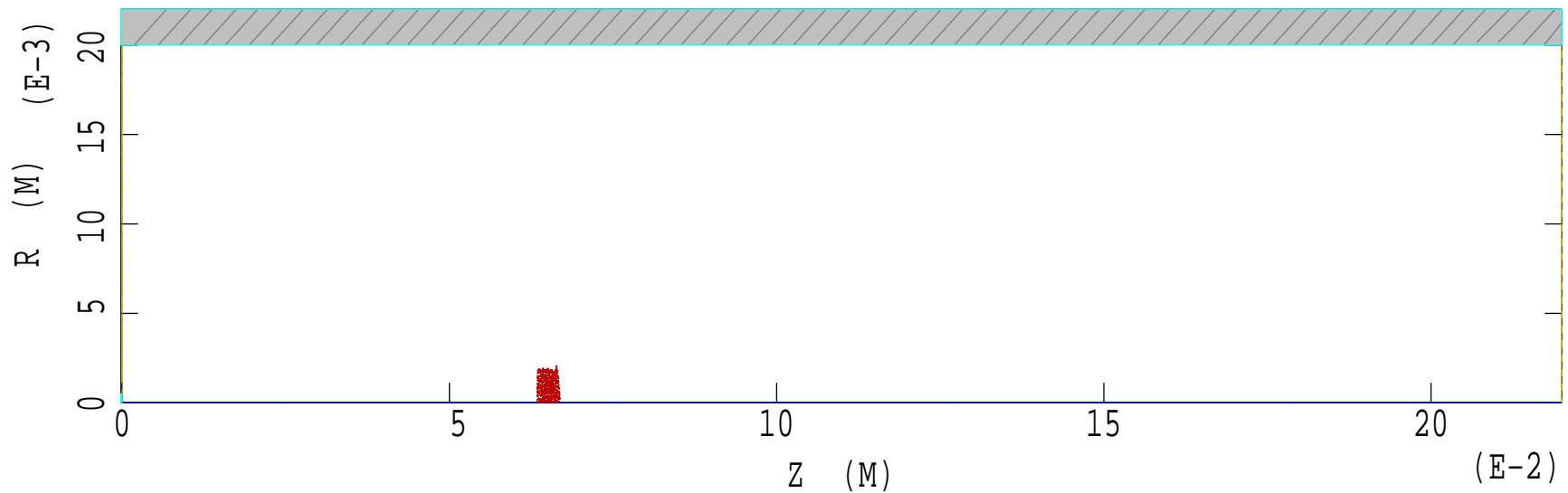
Time 197.000 ps: PHASESPACE for all particles



PHASESPACE Plot 1
Remarks: Gun Test for single bunch
Dbeam=1mm, Vbeam=1MeV DLbeam=3mm

Device:
Run No: 1
File: gun.mgc
Author: V.Teryaev
Organization: KEK

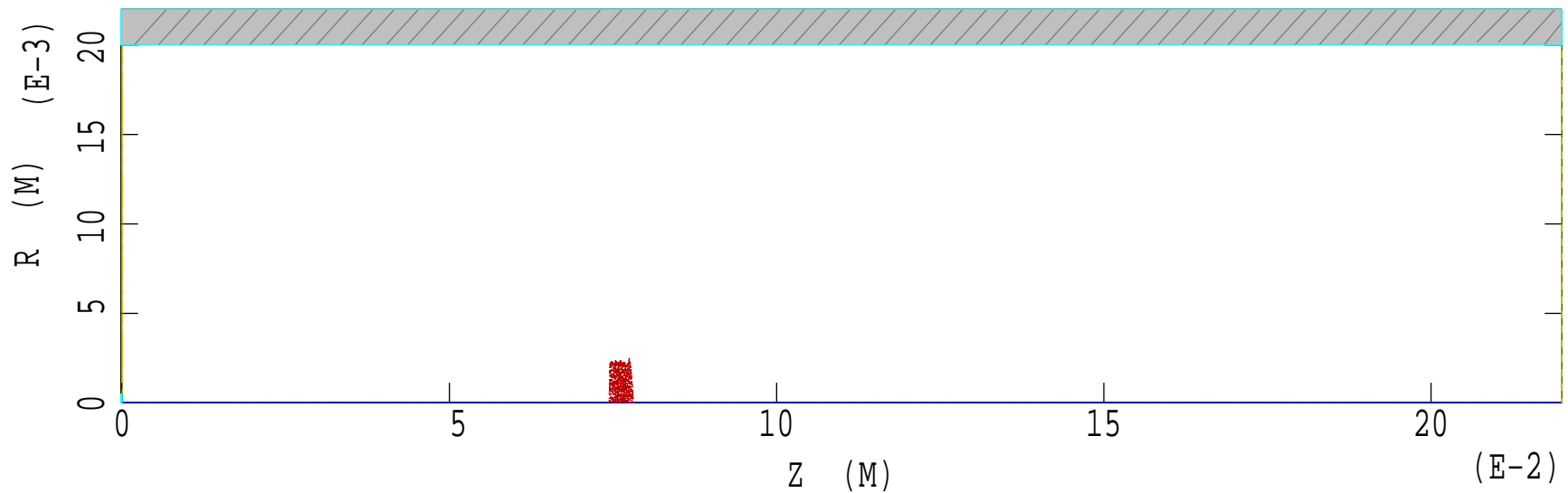
Time 236.400 ps: PHASESPACE for all particles



PHASESPACE Plot 1
Remarks: Gun Test for single bunch
Dbeam=1mm, Vbeam=1MeV DLbeam=3mm

Device:
Run No: 1
File: gun.mgc
Author: V.Teryaev
Organization: KEK

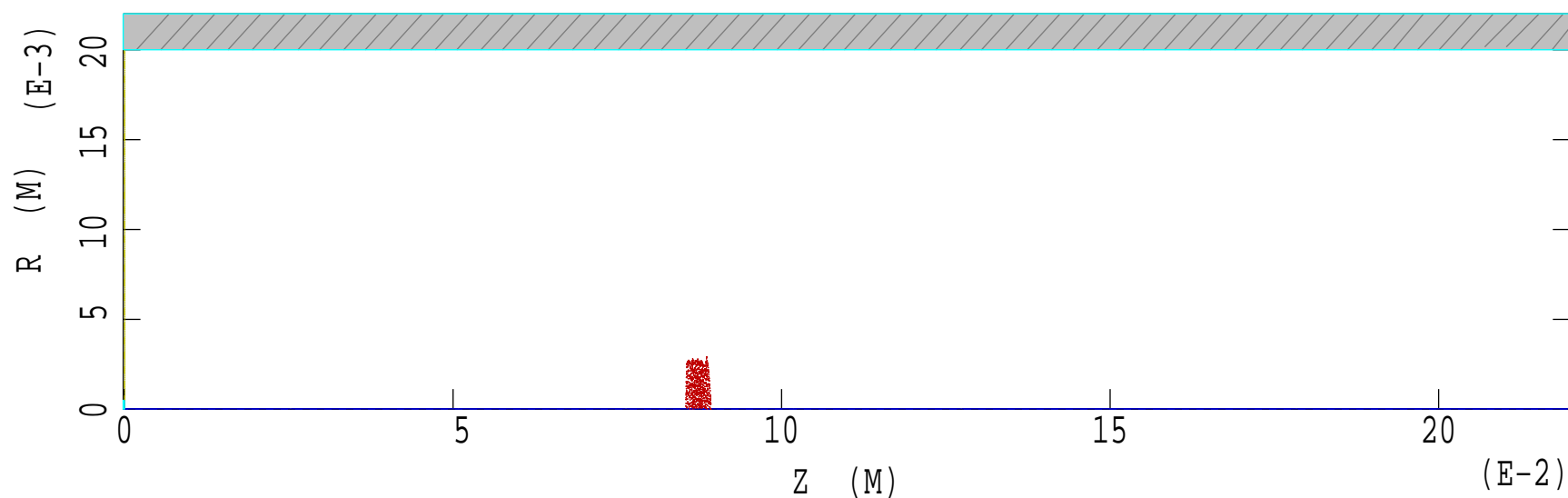
Time 275.800 ps: PHASESPACE for all particles



PHASESPACE Plot 1
Remarks: Gun Test for single bunch
Dbeam=1mm, Vbeam=1MeV DLbeam=3mm

Device:
Run No: 1
File: gun.mgc
Author: V.Teryaev
Organization: KEK

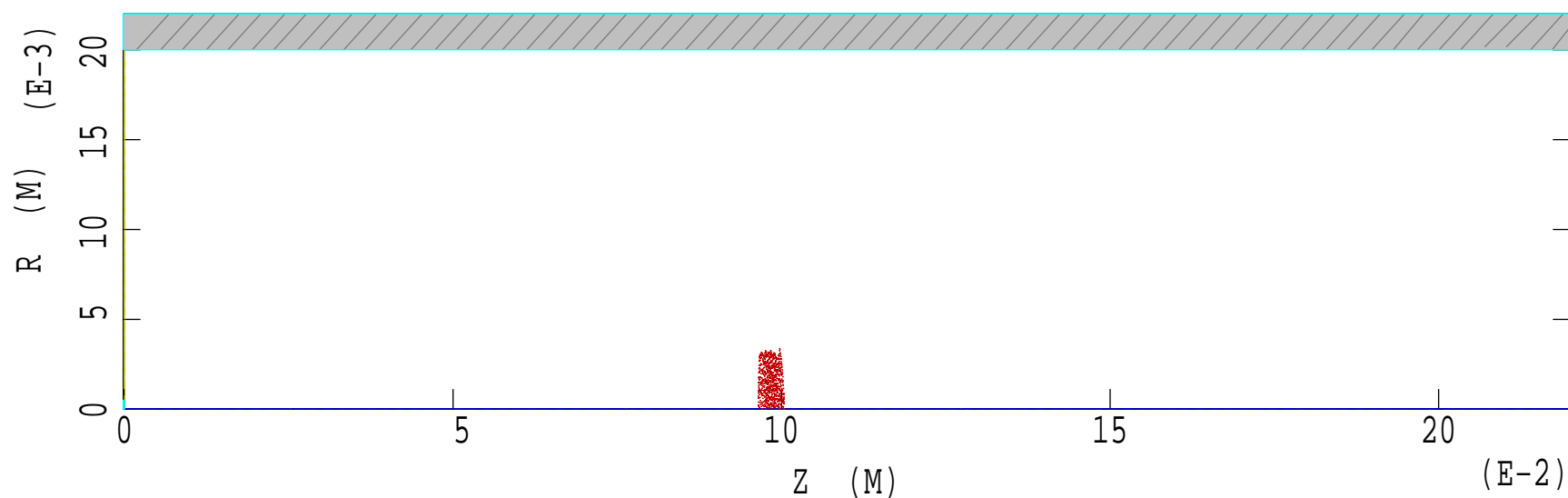
Time 315.200 ps: PHASESPACE for all particles



PHASESPACE Plot 1
Remarks: Gun Test for single bunch
Dbeam=1mm, Vbeam=1MeV DLbeam=3mm

Device:
Run No: 1
File: gun.mgc
Author: V.Teryaev
Organization: KEK

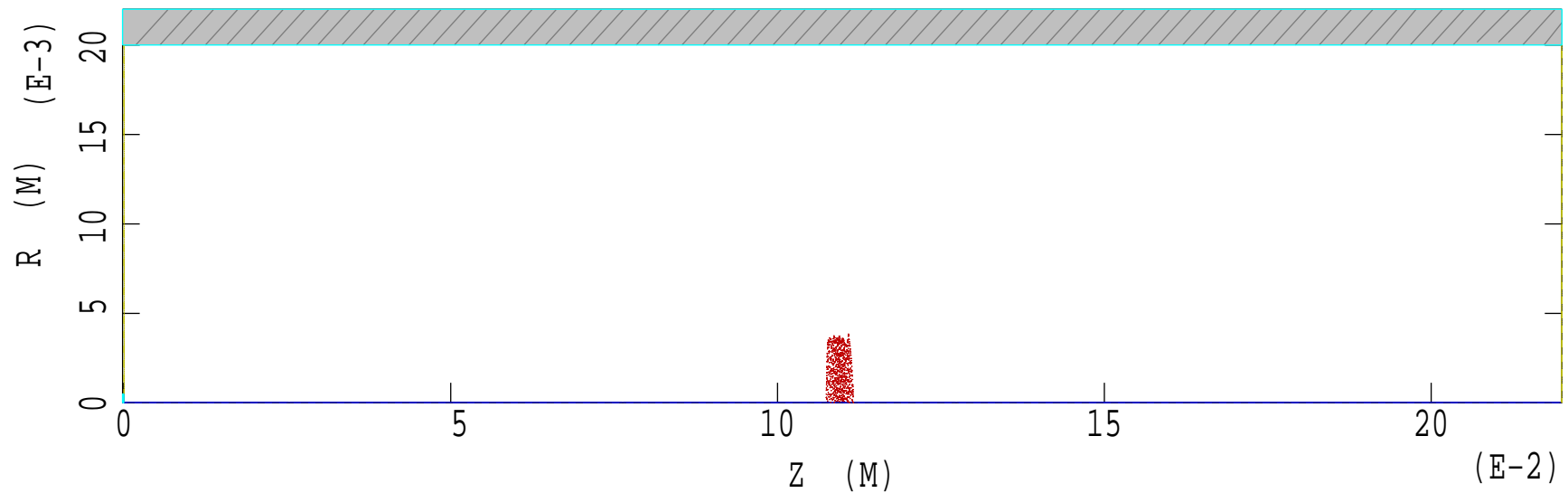
Time 354.600 ps: PHASESPACE for all particles



PHASESPACE Plot 1
Remarks: Gun Test for single bunch
Dbeam=1mm, Vbeam=1MeV DLbeam=3mm

Device:
Run No: 1
File: gun.mgc
Author: V.Teryaev
Organization: KEK

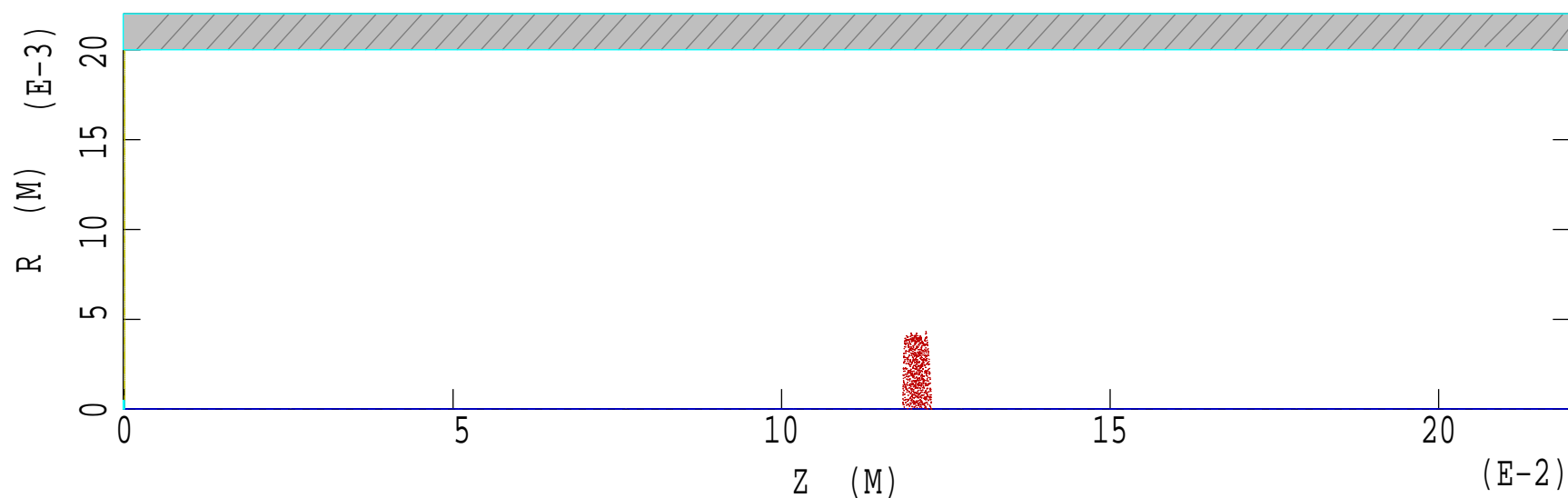
Time 394.000 ps: PHASESPACE for all particles



PHASESPACE Plot 1
Remarks: Gun Test for single bunch
Dbeam=1mm, Vbeam=1MeV DLbeam=3mm

Device:
Run No: 1
File: gun.mgc
Author: V.Teryaev
Organization: KEK

Time 433.400 ps: PHASESPACE for all particles



PHASESPACE Plot 1

Remarks: Gun Test for single bunch

Dbeam=1mm, Vbeam=1MeV DLbeam=3mm

Device:

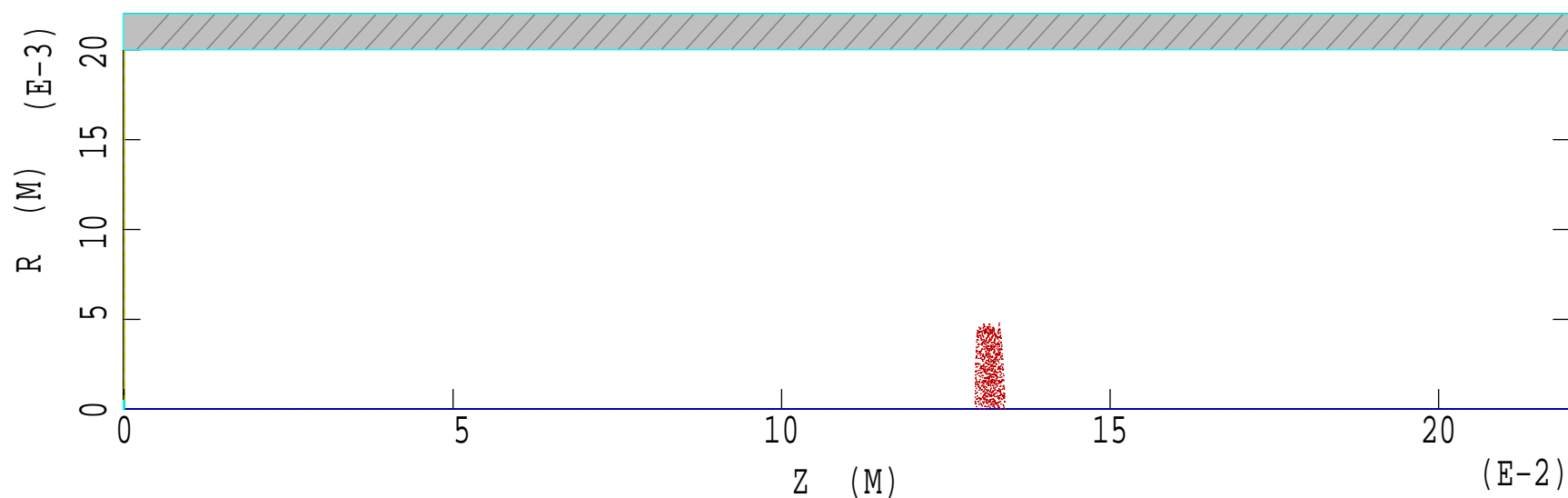
Run No: 1

File: gun.mgc

Author: V.Teryaev

Organization: KEK

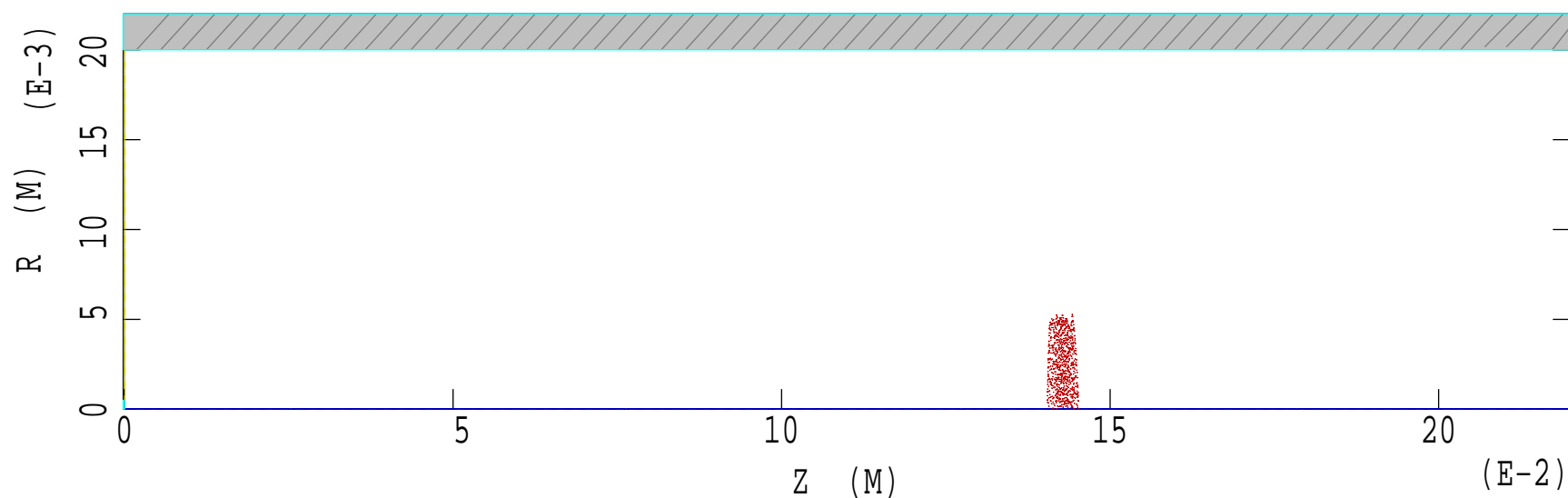
Time 472.800 ps: PHASESPACE for all particles



PHASESPACE Plot 1
Remarks: Gun Test for single bunch
Dbeam=1mm, Vbeam=1MeV DLbeam=3mm

Device:
Run No: 1
File: gun.mgc
Author: V.Teryaev
Organization: KEK

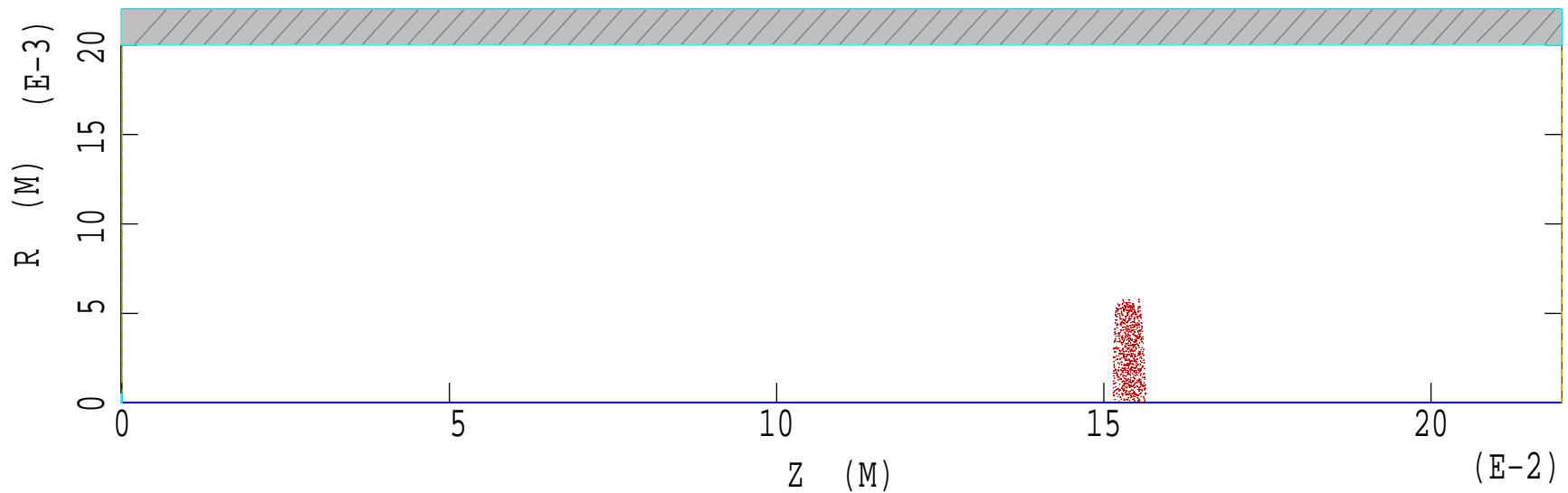
Time 512.200 ps: PHASESPACE for all particles



PHASESPACE Plot 1
Remarks: Gun Test for single bunch
Dbeam=1mm, Vbeam=1MeV DLbeam=3mm

Device:
Run No: 1
File: gun.mgc
Author: V.Teryaev
Organization: KEK

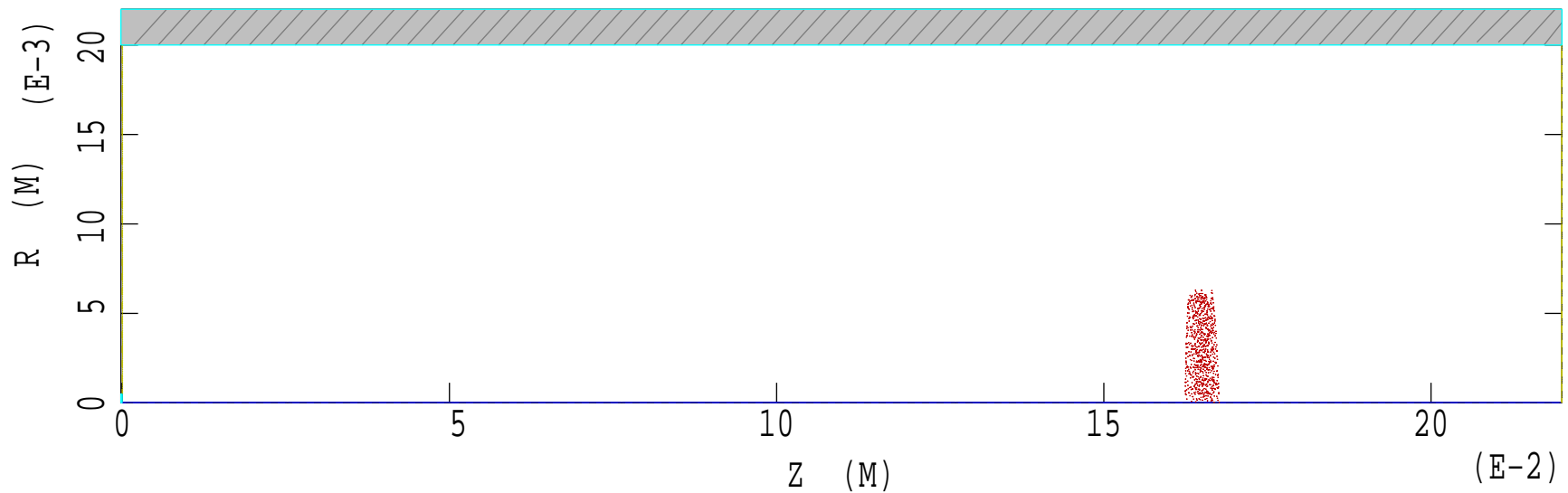
Time 551.600 ps: PHASESPACE for all particles



PHASESPACE Plot 1
Remarks: Gun Test for single bunch
Dbeam=1mm, Vbeam=1MeV DLbeam=3mm

Device:
Run No: 1
File: gun.mgc
Author: V.Teryaev
Organization: KEK

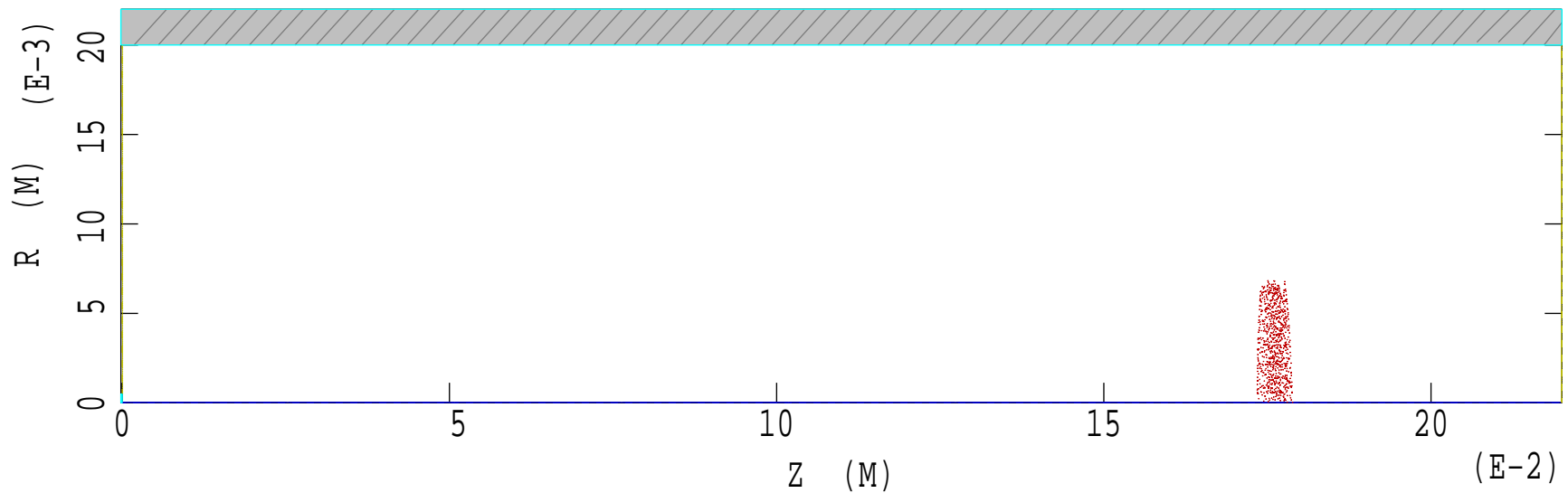
Time 591.000 ps: PHASESPACE for all particles



PHASESPACE Plot 1
Remarks: Gun Test for single bunch
Dbeam=1mm, Vbeam=1MeV DLbeam=3mm

Device:
Run No: 1
File: gun.mgc
Author: V.Teryaev
Organization: KEK

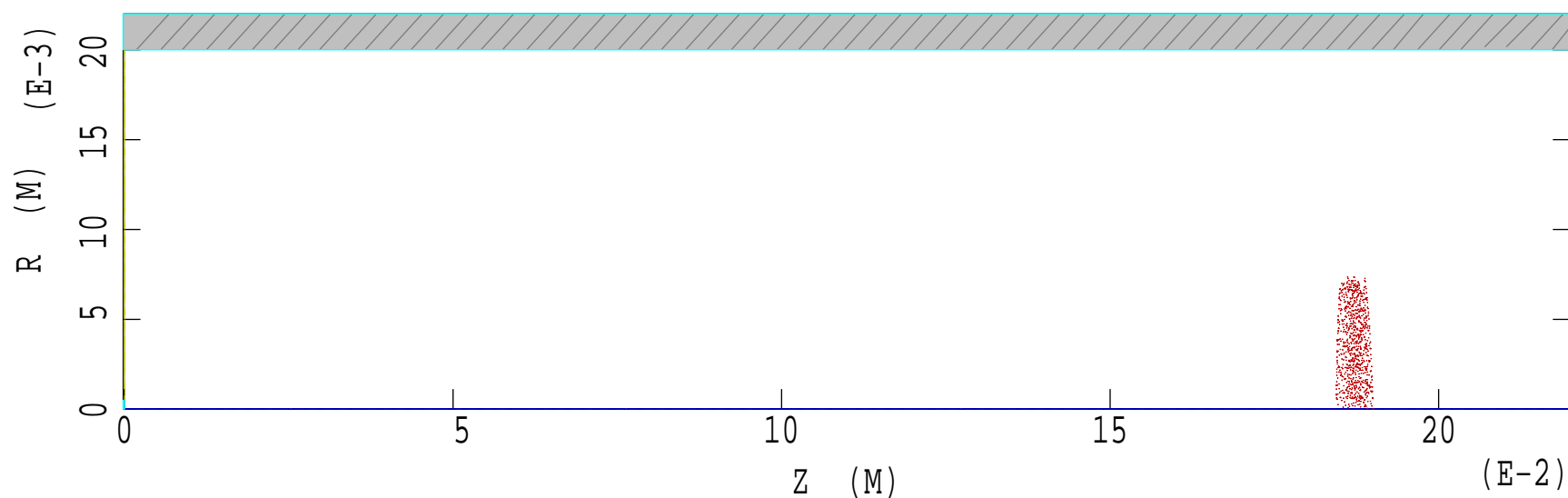
Time 630.400 ps: PHASESPACE for all particles



PHASESPACE Plot 1
Remarks: Gun Test for single bunch
Dbeam=1mm, Vbeam=1MeV DLbeam=3mm

Device:
Run No: 1
File: gun.mgc
Author: V.Teryaev
Organization: KEK

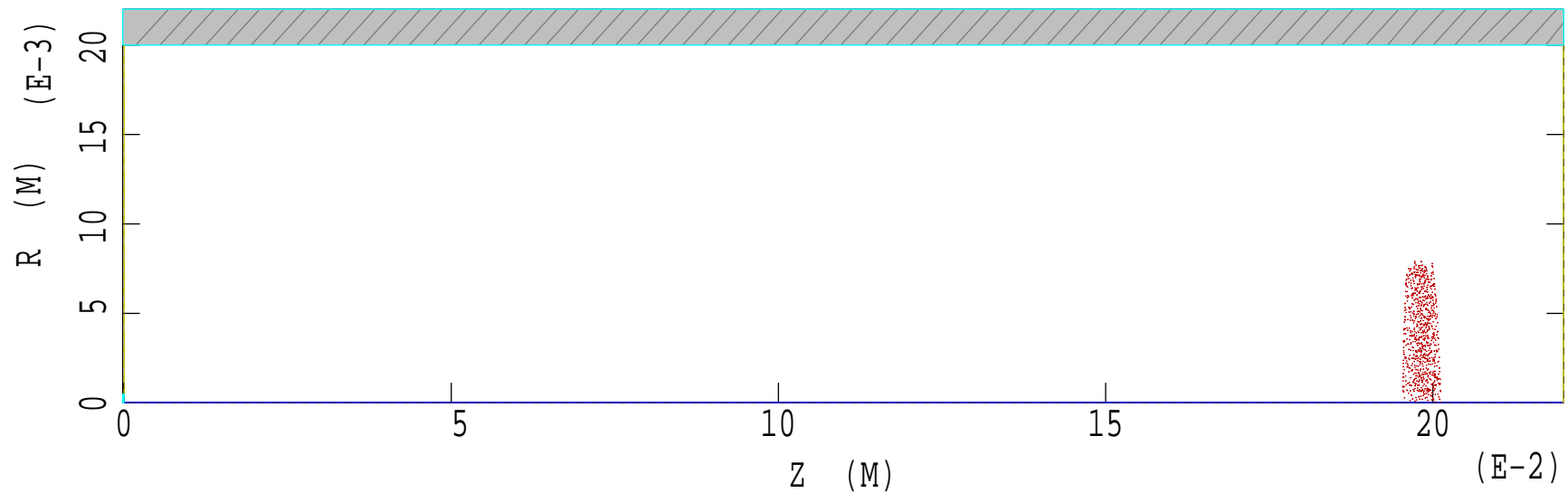
Time 669.800 ps: PHASESPACE for all particles



PHASESPACE Plot 1
Remarks: Gun Test for single bunch
Dbeam=1mm, Vbeam=1MeV DLbeam=3mm

Device:
Run No: 1
File: gun.mgc
Author: V.Teryaev
Organization: KEK

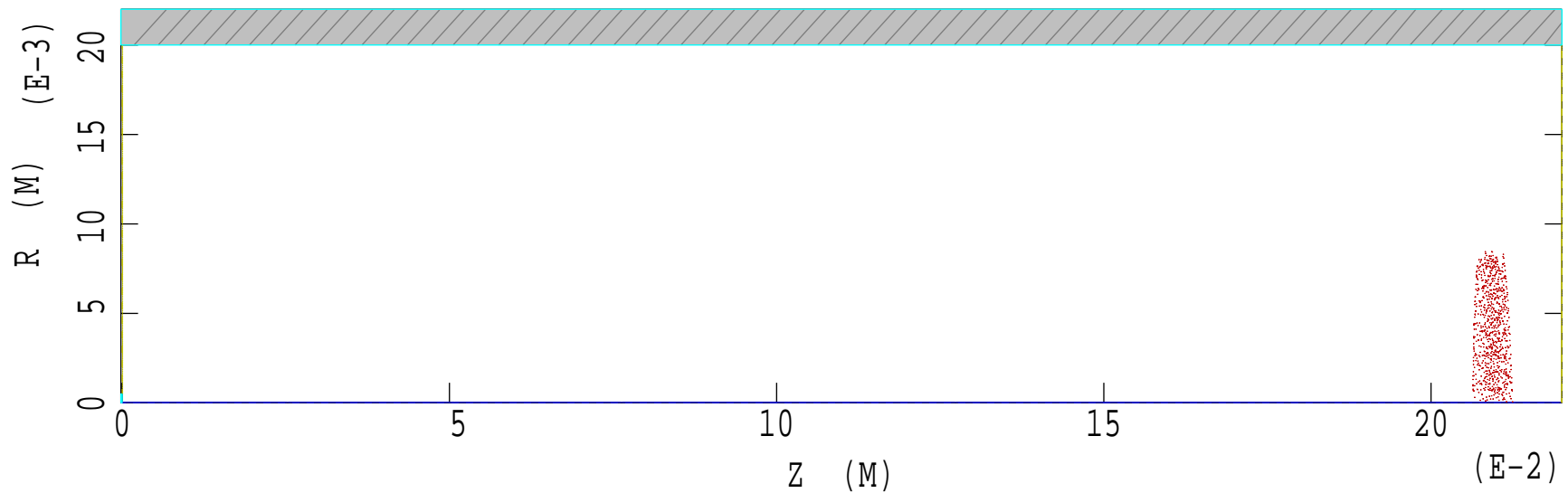
Time 709.200 ps: PHASESPACE for all particles



PHASESPACE Plot 1
Remarks: Gun Test for single bunch
Dbeam=1mm, Vbeam=1MeV DLbeam=3mm

Device:
Run No: 1
File: gun.mgc
Author: V.Teryaev
Organization: KEK

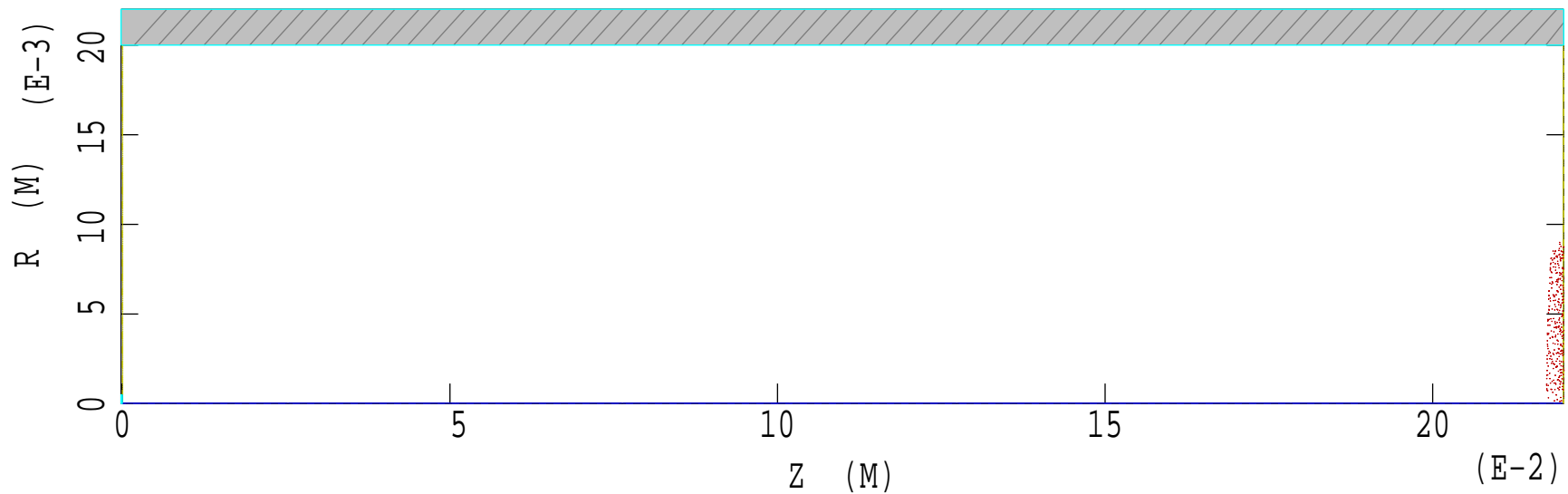
Time 748.600 ps: PHASESPACE for all particles



PHASESPACE Plot 1
Remarks: Gun Test for single bunch
Dbeam=1mm, Vbeam=1MeV DLbeam=3mm

Device:
Run No: 1
File: gun.mgc
Author: V.Teryaev
Organization: KEK

Time 788.000 ps: PHASESPACE for all particles



PHASESPACE Plot 1
Remarks: Gun Test for single bunch
Dbeam=1mm, Vbeam=1MeV DLbeam=3mm

Device:
Run No: 1
File: gun.mgc
Author: V.Teryaev
Organization: KEK